



	<p><b>4" Duct (Standard):</b> 110 CFM/&lt;0.3 Sones @ 0.1 SP, 13.6 Watts 95 CFM/0.6 Sones @ 0.25 SP, 16.0 Watts</p>		
--	---	--	--

### Description

Low noise ceiling mount ventilating fan for continuous running. Fan has been awarded ENERGY STAR®. It is HVI, UL, and cUL certified, and can be used to comply with ASHRAE 62.2 (local and whole building continuous and intermittent operation). Meets CA Title 24 requirements.

### DC Motor/Blower

- Power rating of 120 volts/60Hz
- DC brushless motor engineered to run continuously
- Motor equipped with thermal cutoff fuse
- Removable with permanently lubricated plug-in motor
- Built-in soft start function to increase bearings' life
- Automatically powers off when impeller is locked abnormally
- Self-compensating motor speed for intended airflow when static pressure is encountered

### Housing

- Galvanized steel body
- Detachable 4" diameter metal duct adapter
- Built-in backdraft damper
- Easy installation with expandable extension bracket

### Grille

- Attractive design using ABS material
- Attaches directly to housing with torsion springs

### LED Indicator

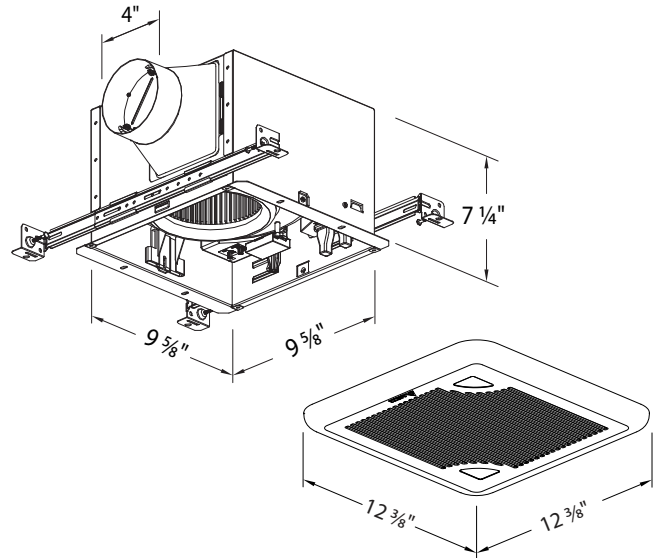
- Turn the power switch on/off to operate on/off. LED indicator will be green when power is on

### Warranty

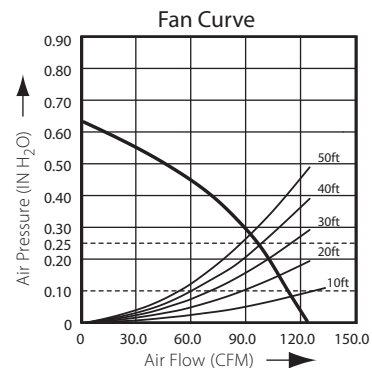
- 3-Year limited warranty

### TYPICAL SPECIFICATION

Ventilation fan shall be Delta Breez model SIG110; ENERGY STAR qualified with Brushless DC Motor engineered to run continuously for a minimum 70,000 hours; airflow rating of 110 CFM and loudness rating of <0.3 Sones at 0.1 static pressure as certified by the Home Ventilating Institute (HVI); power consumption of 13.6 Watts with efficiency rating of 9.0 CFM/Watt; fan will feature LED indicator running light, motor lock protection and self-compensating motor speed for intended airflow when static pressure is encountered. UL and cUL listed for tub/shower enclosure when used with GFCI-protected branch circuit wiring.



<b>BreezSignature SIG110</b>	4" Duct (Standard)	
Static Pressure (inches w.g.)	0.1	0.25
Air Flow (CFM)	110	95
Sones	<0.3	0.6
Power Consumption (Watts)	13.6	16.0
Energy Efficiency (CFM/Watt)	9.0	6.4
Current (Amps)	0.38 Max	
Power Rating (V/Hz)	120/60	



Model	Quantity	Comments	Project:
			Location:
			Architect:
			Engineer:
			Contractor:
			Submitted by:
			Date: